

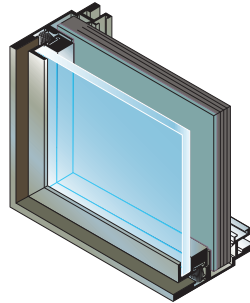


# Interior Display - 500T Series & 525T Series Displays ï Non-illuminated Tackboard ï Technical Data

Exterior & Interior Signage · Digital Imaging · Column Covers · Illuminated & Non-illuminated Directories · Custom Fabricated Graphics



**500T Series ¥ T3H** Standard Frame  
Size: 23" x 30" x 1 9/16" with felt cover



Isometric Cross Section

The **500T & 525T Series** is a non-illuminated tackboard directory that utilizes natural cork or felt covered cork tackboards for display of posters or changing notices.

### Directory Sizes

Two Frame configurations are available, 500T Series lighter frames for smaller changeable boards and the 525T Series Monumental Frame for architectural applications. Special larger sizes, to accommodate additional copy requirements should use 525C Series heavy frame directory series. Directory sizes include 24 configurations. Widths: 15 1/2", 23", 30 1/2" & larger Heights: 15 1/2", 23", 30 1/2", 38" & larger Special sizes can be specified. If a larger size is required use the 525C Monumental Frame series.

### Materials and Construction

Standard tackboard material consists of 1/2" thick tackboard with natural cork laminated to the face. Any standard felt color is available to cover cork material if specified.

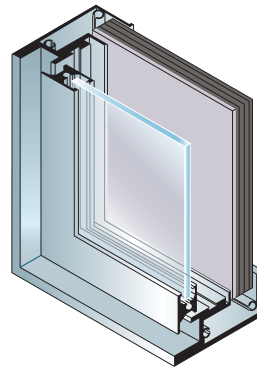
Felt colors are indicated by an order number and have been oriented to coordinate with the standard plaque colors, but they are not an exact match.

### Integral Header Panels

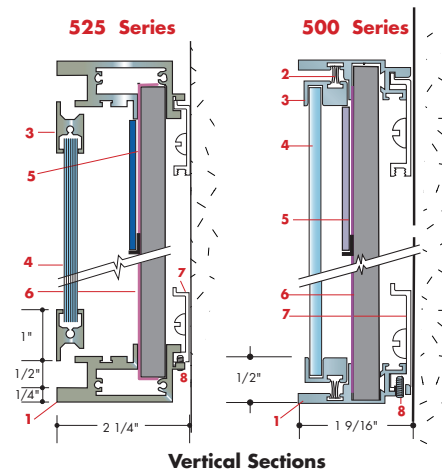
Integral header panels are offered in the standard 5" height and in all Vomar acrylic colors. Graphic processes include front surface silkscreen or applied graphics such as vinyl die-cut letters or dimensional cutout letters. "H" after elevation number indicates the standard 5" integral header panel. For exterior environments, the standard cork material must be laminated to an aluminum back. Felt covering is not recommended for exterior exposure and black Koroseal vinyl covered boards are recommended in lieu of felt.



**525T Series ¥ T3HB** Monumental Frame  
Size: 23" x 23" x 2 1/4" with felt cover



Isometric Cross Section



Vertical Sections

### Cover Panels and Door Types

Standard cover panel is a hinged clear glass panel that is held in place by spring retainers. A clear acrylic plastic cover panel material can be substituted for clear glass if required. Doors with tamper-proof retainers for locking can be specified. A dust-seal is recessed into the reveal area between the frame and glass cover panel.

### Aluminum Frame Finishes

Anodized clear satin natural, medium bronze duranodic 312 and black duranodic. Painted finishes for custom colors are available.

### Changeable Letter Information

Letterstyles: Gothic, Roman and Helvetica Medium. Capital letters only. Letter color: Black or white. Letter heights: 3/8", 3/4", 1", 1 1/2", 2" Helvetica Medium is available in 5/16", 1/2", 3/4", 1"

### Mounting Information

Units are surface mounted as standard or may be recessed into a finished edge opening. Mounting brackets are supplied with each directory. Units may be mounted on freestanding directory section. Fabrication drawings indicating all details are provided for approval.

15 1/2"	23 1/2"	23"	23"	30 1/2"	30 1/2"	
T2	T2H	T3	T3H	T4	T4H	30 1/2"
T2C	T2HC	T3C	T3HC	T4C	T4HC	15 1/2"
T2B	T2HB	T3B	T3HB	T4B	T4HB	23"
T2A	T2HA	T3A	T3HA	T4A	T4HA	38"

### Felt Cover Information

Code	Felt Color	Similar Plaque Color	Section Drawing Description
301	Black.....	16	1. Aluminum Frame Extrusion
302	Grey Mist.....	9	2. Dust Seal
303	Royal Blue.....	19	3. Glass Cover Panel Frame Extrusion
304	Beige.....	21 Dark	4. Clear Glass Cover 3/16" Thick
306	Old Gold.....	2 Light	5. Integral Acrylic Header Panel (optional)
307	Mustard.....	15 Dark	6. Felt Covered tackboard
308	Buckskin.....	2	7. Mounting Bracket
309	Bittersweet.....	17	8. Allen Head Set Screw
310	Orange.....	20	
311	Turf Brown.....	23	