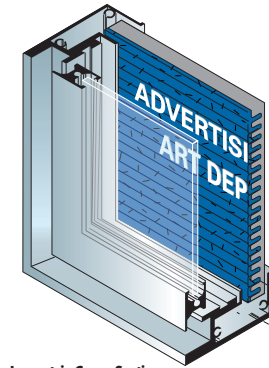




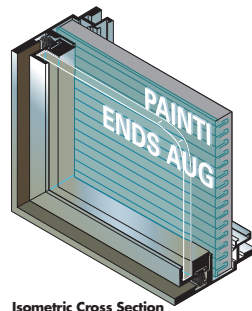
Interior Directories - 525C & 500C Directories - Non-illuminated Changeable Letterboard - Technical Data

Exterior & Interior Signage - Digital Imaging - Column Covers - Illuminated & Non-illuminated Directories - Custom Fabricated Graphics



Isometric Cross Section

525C Series ¥ C3HB Monumental Frame
Size: 23" x 23" x 1 9/16" with felt cover



Isometric Cross Section

500C Series ¥ C3H Standard Frame
Size: 23" x 30" x 1 9/16" with felt cover

Standard Directory Sizes

15 1/2"	15 1/2"	23"	23"	30 1/2"	30 1/2"
C2	C2H	C3	C3H	C4	C4H
C2C	C2HC	C3C	C3HC	C4C	C4HC
C2B	C2HB	C3B	C3HB	C4B	C4HB
C2A	C2HA	C3A	C3HA	C4A	C4HA

Felt Cover Information

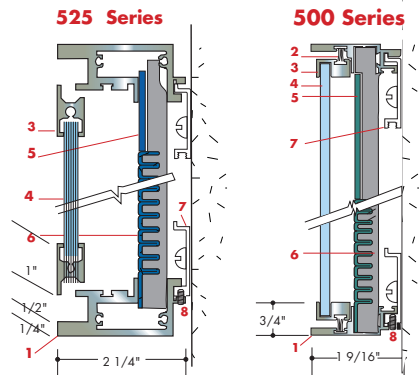
Code	Felt Color	Similar Plaque Color
301	Black.....16	
302	Grey Mist.....9	
303	Royal Blue.....19	
304	Beige.....21	Dark
306	Old Gold.....2	Light
307	Mustard.....15	Dark
308	Buckskin.....2	
309	Bittersweet.....17	
310	Orange.....20	
311	Turf Brown.....23	

The **500C & 525C Series** is a non-illuminated changeable letterboard directory with felt covered grooved boards designed to receive a variety of molded changeable letter styles and sizes.

Directory Sizes

Two Frame configurations are available, 500C Series lighter frames for smaller changeable boards and the 525C Series Monumental Frame for architectural applications. Special sizes, combining several columns within one unit, are available, using the 525 series. Wider dimensions to accommodate additional copy columns should use 525C Series heavy frame directory series.

Directory sizes include 24 configurations. Widths: 15 1/2", 23", 30 1/2" & larger Heights: 15 1/2", 23", 30 1/2", 38" & larger Special sizes can be specified. If a larger size is required use the 525C Monumental Frame series.



Vertical Sections

Materials and Construction

Standard letterboard material consists of felt covered grooved particle board with grooves spaced 1/4" apart. Black felt covered boards are standard. Any felt color listed can be substituted for black. Felt colors are indicated by an order number and name and have been oriented to coordinate with the standard plaque colors; however, they are not an exact match. For exterior environments, black Koroseal vinyl covered boards are recommended in lieu of felt. Integral header panels, which are used for identifying information, are offered in the standard 5" height and in all Vomar acrylic colors. Graphic processes include front surface silkscreen or applied graphics such as vinyl die-cut letters or dimensional cutout letters. "H" after elevation number indicates the standard 5" integral header panel.

Door Types

Standard cover panel is a hinged clear glass panel that is held in place by spring retainers. A clear acrylic plastic cover panel material can be substituted for clear glass if required. Doors with tamper-proof retainers for locking can be specified. A dust-seal, that is recessed into the reveal area between the frame and glass cover panel or door, assures perfect alignment and ease of maintenance.

Aluminum Frame Finishes

Anodized clear satin natural, medium bronze duranodic 312 and black duranodic. Painted finishes for custom colors are available.

Changeable Letter Information

Letterstyles: Gothic, Roman and Helvetica Medium. Capital letters only. Letter heights: 3/8", 3/4", 1", 1 1/2", 2" Helvetica Medium is available in 5/16", 1/2", 3/4" and 1" heights only. Letter color: Black or white.

Mounting Information

Units are surface mounted as standard or may be recessed into a finished edge opening. Mounting brackets are supplied with each directory. Units may be mounted on freestanding directory section. Fabrication drawings indicating all details are provided for approval.